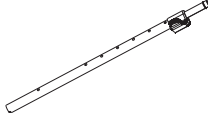
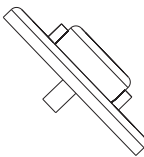
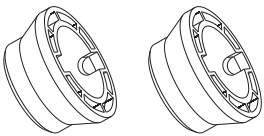
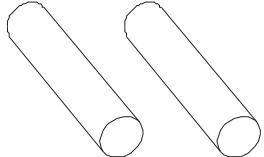
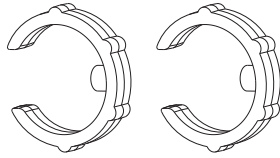
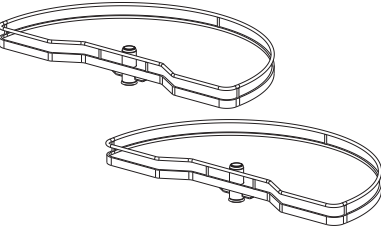
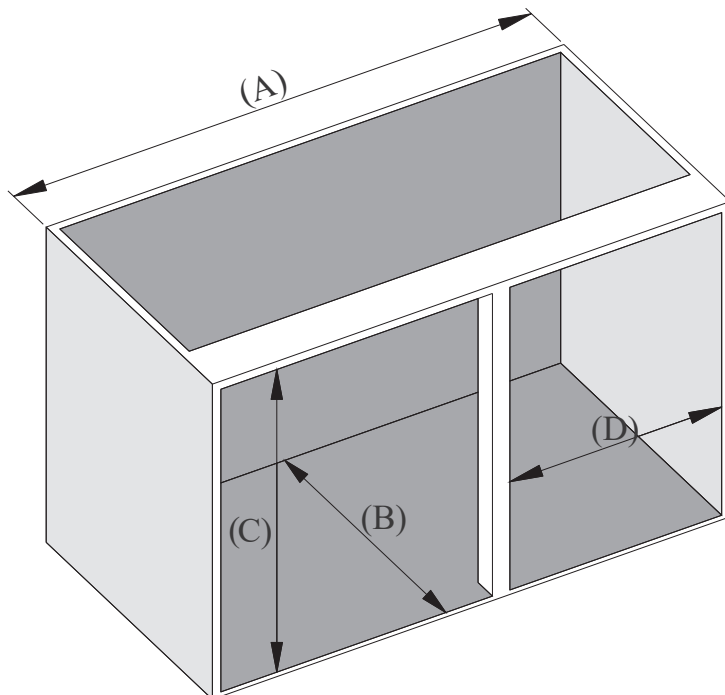


No.	Description	Picture	Quantity
1	Main Support & Adjusting Rod Assembly		1 No.
2	Top & Bottom Holder		2 No.
3	Main Support Pipe Holder		2 Nos.
4	Dowell Pin		2 Nos.
5	C- Ring Stopper		2 Nos.
6	Dee Tray		2 Nos.

Step (1)

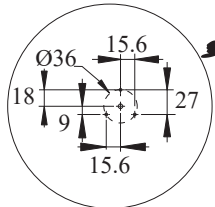
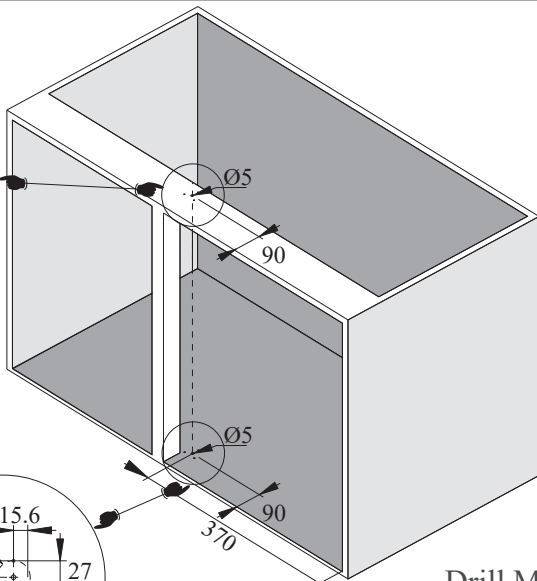
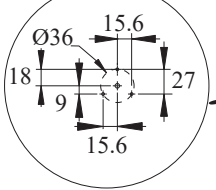
Carcass Dimension



Cabinet Width (A)	1050-1100mm
Cabinet Depth (B)	560min
Height (C)	600-700mm
Door Width (D)	410-490mm

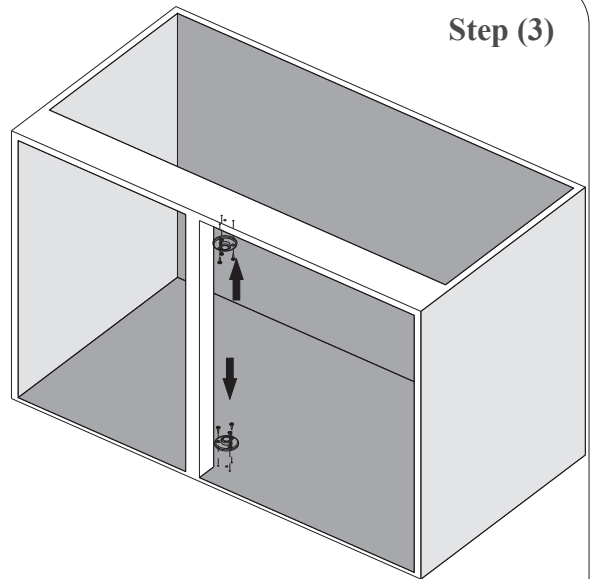
Dee Tray Installation Manual For 700mm Tray (Corner Unit)

Step (2)



Drill Mounting Holes For Top / Bottom Holders In To Carcass.

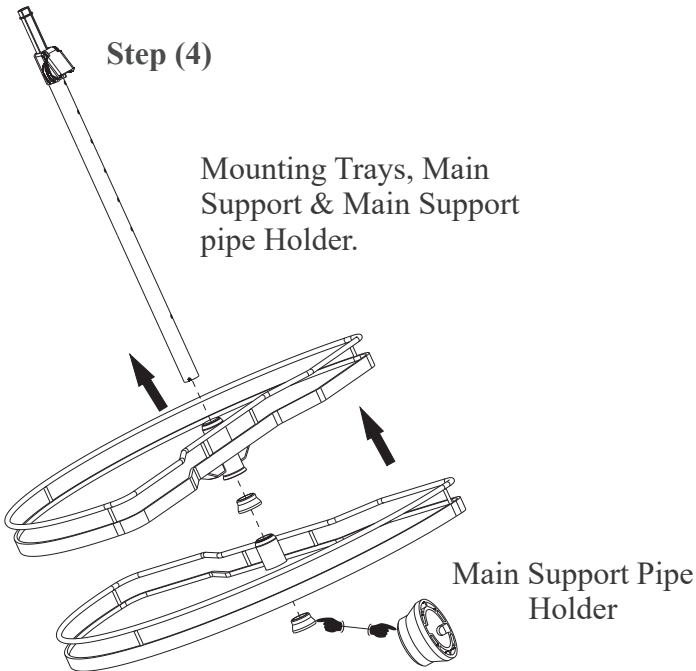
Step (3)



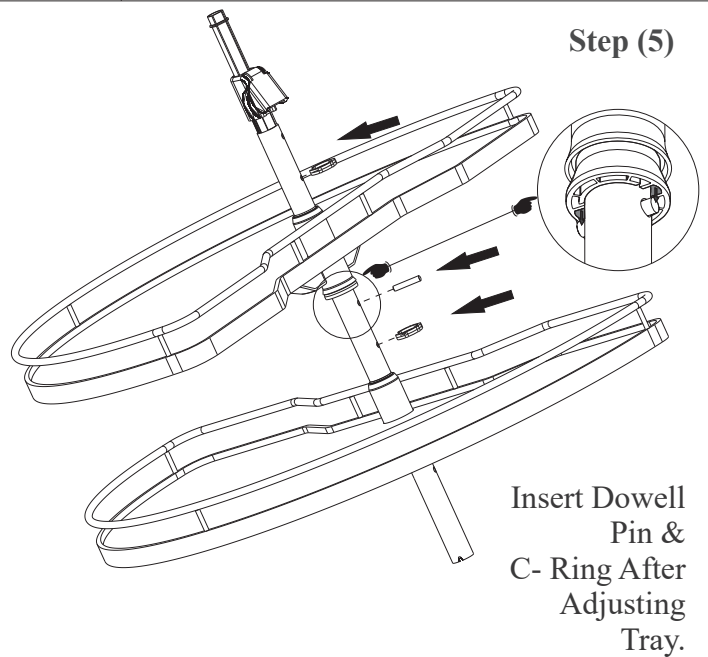
Mounting Top & Bottom Holders

Step (4)

Mounting Trays, Main Support & Main Support pipe Holder.

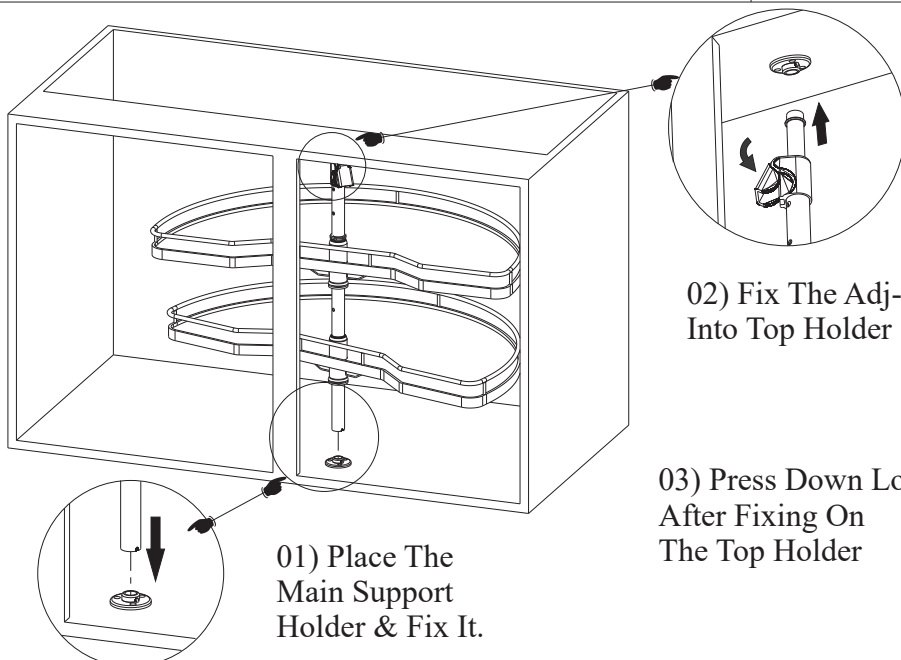


Step (5)



Insert Dowell Pin & C- Ring After Adjusting Tray.

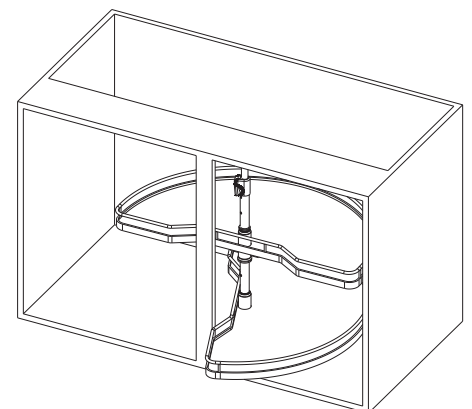
Final Step (6)



01) Place The Main Support Holder & Fix It.

02) Fix The Adj-Rod Into Top Holder

03) Press Down Lock After Fixing On The Top Holder



Dee Tray Installation Manual For 700mm Tray (Corner Unit)